



HALO[®]

MicroEdge[™]

HLA Adjustable Direct Mount

installs virtually anywhere

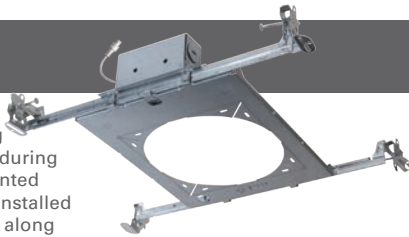
The HLA installs into a standard hole saw size cutout and is retained securely in place with springs.

The driver junction box installs through a cutout and can be positioned remotely from the fixture fitting. Mounting holes facilitate attachment to the building structure.

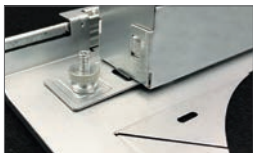


New Construction Mounting Frame

The new construction mounting frame locates the fixture fitting during electrical rough-in. HALO's patented Got Nail!® bar hangers are pre-installed supporting the mounting frame along rails.

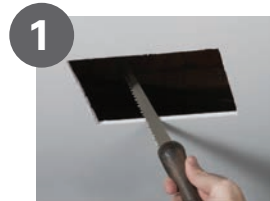


During electrical rough-in, the driver / junction box attaches to the mounting frame with captive fasteners meeting code requirements for attachment to the building structure.



HL4RSMF = 4" round and square mounting frame

Square Installation



The SeleCCTable™ technology puts flexibility at your fingertips. By using the switch located on the driver junction box, the user can choose from a range of five color temperatures 2700K - 5000K.

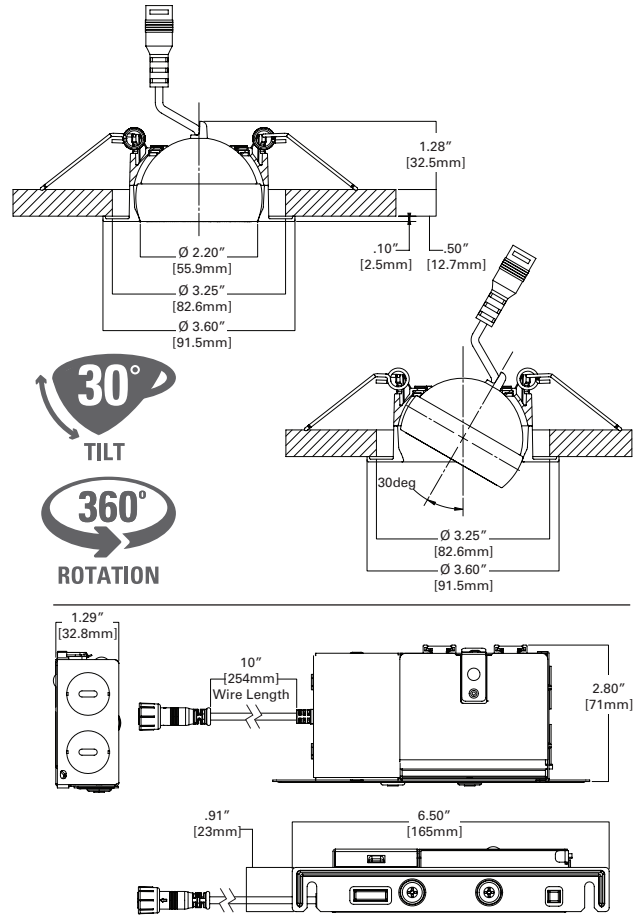




- Up to 700 lumens
- Use to replace 50W BR30 halogen lamp
- 2700K and 3000K fixed CCT
- 90 CRI
- 8.6W, 120V
- L70 @ 50,000 hrs
- HALO matte white finish
- No existing recessed housing or junction box required
- Fixture will not fit into existing housings or junction boxes
- Wet location listed (shower rated) covered ceiling
- Rated for direct contact to air permeable insulation
- AIR-TITE™ certified per ASTM-E283
- Five-year limited warranty



Refer to ENERGY STAR® Certified Products List. Can be used to comply with California Title 24 High Efficacy requirements. Certified to California Appliance Efficiency Database under JA8.



Ordering Information

SAMPLE NUMBER: HLA406VWFL9FS1EMWR

Models	Lumens	Distribution	CRI / CCT	Driver	Finish	Packaging
HLA3 = 3-Inch LED round directional with remote driver / junction box	05 = 500 lumen (nominal)	FL = 40° flood distribution	927 = 90 CRI minimum, 2700K CCT 930 = 90 CRI minimum, 3000K CCT	1E = 120V 60Hz, LE & TE phase cut 5% dimming	MW = matte white flange	R = recyclable 4-color unit carton suitable for point of purchase merchandising display

Accessories

Oversized Trim Ring

3ROTMMW = 3" round oversized trim, matte white

Decorative Trim Ring

HLB3RTRMMW = 3" round decorative overlay, matte white

HLB3RTRMSN = 3" round decorative overlay, satin nickel

HLB3RTRMTBZ = 3" round decorative overlay, tuscan bronze

Extension Cables | Dedicated Driver/Jbox

HLB06EC = 6 ft. extension cable

HLB12EC = 12 ft. extension cable

HLB20EC = 20 ft. extension cable



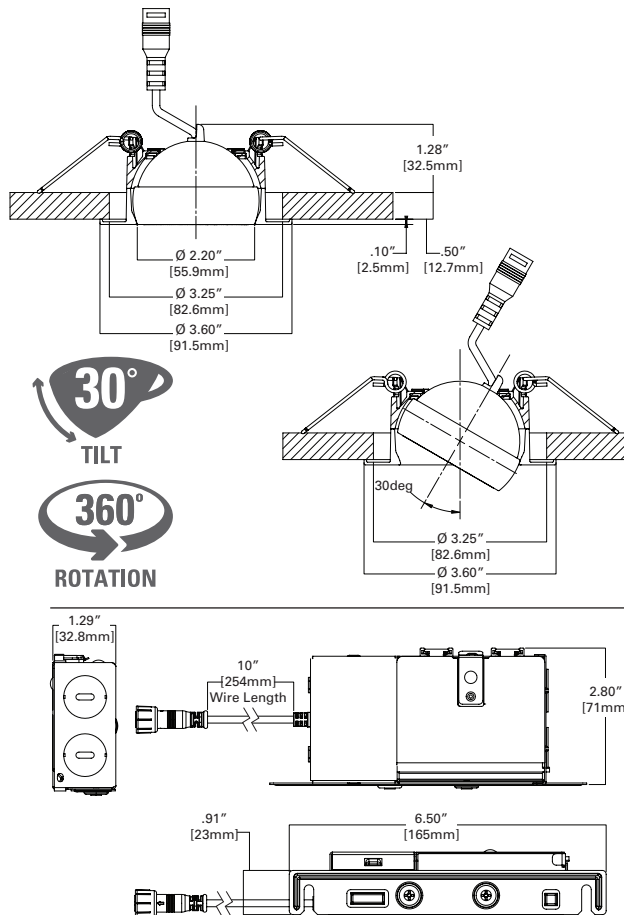
^A Savings are over the life of the HALO HLA3 luminaire.
Energy savings: \$353
Replacement lamp savings: \$1.07
Savings based on \$0.128 per kilowatt hour, average six hours use per day, 50,000 hours of lamp usage, and 50W BR30 lamp lumen equivalent.



- Up to 700 lumens
- Use to replace 50W BR30 halogen lamp
- 2700K and 3000K fixed CCT
- 90 CRI
- 8.6W, 120V
- L70 @ 50,000 hrs
- HALO matte white finish
- No existing recessed housing or junction box required
- Fixture will not fit into existing housings or junction boxes
- Wet location listed (shower rated) covered ceiling
- Rated for direct contact to air permeable insulation
- AIR-TITE™ certified per ASTM-E283
- Five-year limited warranty



Refer to ENERGY STAR® Certified Products List. Can be used to comply with California Title 24 High Efficacy requirements. Certified to California Appliance Efficiency Database under JA8.



Ordering Information

SAMPLE NUMBER: HLA406VWFL9FS1EMWR

Models	Lumens	Distribution	CRI / CCT	Driver	Finish	Packaging
HLA3S = 3-Inch LED square directional with remote driver / junction box	05 = 500 lumen (nominal)	FL = 40° flood distribution	927 = 90 CRI minimum, 2700K CCT 930 = 90 CRI minimum, 3000K CCT	1E = 120V 60Hz, LE & TE phase cut 5% dimming	MW = matte white flange	R = recyclable 4-color unit carton suitable for point of purchase merchandising display

Accessories

Oversized Trim Ring

HLB3SOTMW = 3" round oversized trim, matte white

Decorative Trim Ring

HLB3STRMMW = 3" square decorative overlay, matte white

HLB3STRMSN = 3" square decorative overlay, satin nickel

HLB3STRMTBZ = 3" square decorative overlay, tuscan bronze

Extension Cables | Dedicated Driver/Jbox

HLB06EC = 6 ft. extension cable

HLB12EC = 12 ft. extension cable

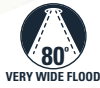
HLB20EC = 20 ft. extension cable

UP TO
\$353^A
SAVINGS

^A Savings are over the life of the HALO HLA3 luminaire.
Energy savings: \$353
Replacement lamp savings: \$1.07
Savings based on \$0.128 per kilowatt hour, average six hours use per day, 50,000 hours of lamp usage, and 50W BR30 lamp lumen equivalent.



HLA406VWFL9FS1EMWR



HLA406FL9FS1EMWR



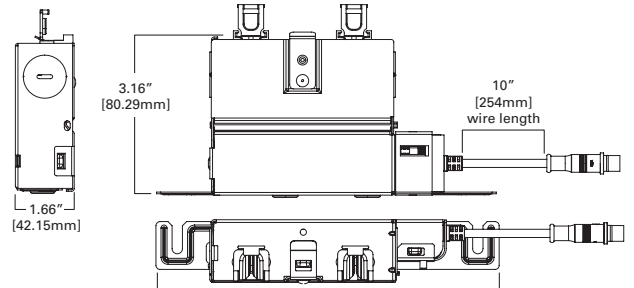
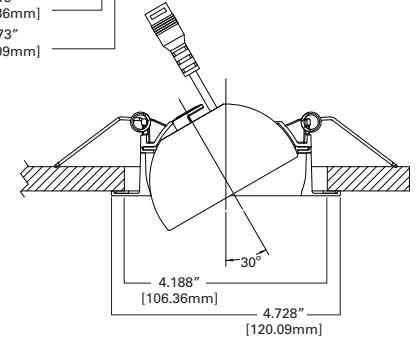
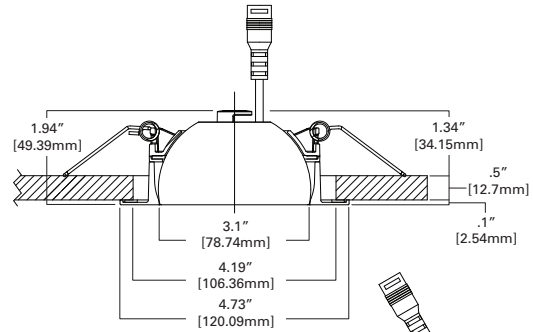
2700K • 3000K • 3500K
4000K • 5000K



Refer to ENERGY STAR® Certified Products List. Can be used to comply with California Title 24 High Efficacy requirements. Certified to California Appliance Efficiency Database under JA8.



- Up to 700 lumens
- Use to replace 60W A19 incandescent lamp
- 2700K, 3000K, 3500K, 4000K, 5000K CCT field select
- 90 CRI
- 12W, 120V
- L70 @ 50,000 hrs
- HALO matte white finish
- No existing recessed housing or junction box required
- Fixture will not fit into existing housings or junction boxes
- Wet location listed (shower rated) covered ceiling
- Rated for direct contact to air permeable insulation
- AIR-TITE™ certified per ASTM-E283
- Five-year limited warranty



Ordering Information

SAMPLE NUMBER: HLA406VWFL9FS1EMWR

Models	Lumens	Distribution	CRI / CCT	Driver	Finish	Packaging
HLA4 = 4-Inch LED round directional with remote driver / junction box	06 = 600 lumen (nominal)	FL = 40° flood distribution VWFL = 80° very wide flood distribution	9FS = 90 CRI minimum, field selectable 2700K, 3000K, 3500K, 4000K or 5000K CCT	1E = 120V 60Hz, LE & TE phase cut 5% dimming	MW = matte white flange	R = recyclable 4-color unit carton suitable for point of purchase merchandizing display

Accessories

Oversized Trim Ring

HLB4ROTMW = 4" round oversized trim, matte white

Decorative Trim Ring

HLB4RTRMMW = 4" round decorative overlay, matte white

HLB4RTRMSN = 4" round decorative overlay, satin nickel

HLB4RTRMTBZ = 4" round decorative overlay, tuscan bronze

Mounting Frame

HL4RSMF = 4" round and square mounting frame

Extension Cable | SelectCCTable Driver/Jbox

HLB06FSEC - 6 ft. extension cable

HLB12FSEC - 12 ft. extension cable

HLB20FSEC - 20 ft. extension cable

Energy Data

Lumens	600 Series
Input Voltage	120V
Input Current	90 (mA)
Input Power	10.5 (W)
Efficiency	60 (LPW)
Inrush (A)	1.9 A @ 54mS
THD	≤ 20%
PF	≥ 0.90
T Ambient	-30° - +40°C
Sound Rating	≤ 22dba

UP TO \$377^A SAVINGS

^A Savings are over the life of the HALO HLA4 luminaire. Energy savings: \$327 Replacement lamp savings: \$50 Savings based on \$0.128 per kilowatt hour, average six hours use per day, 50,000 hours of lamp usage, and 60W A19 lamp lumen equivalent.

HLA4S



HLA4S06VWFL9FS1EMWR



HLA4S06FL9FS1EMWR



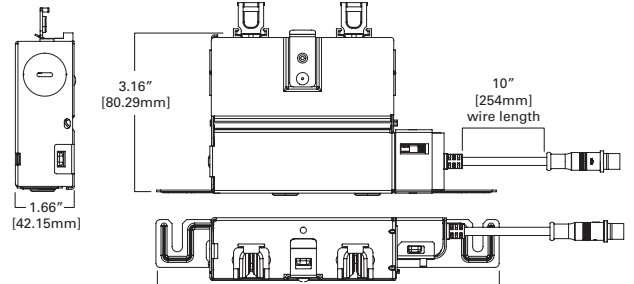
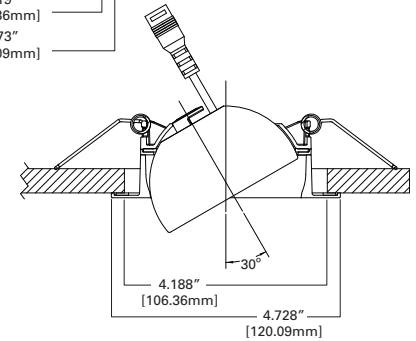
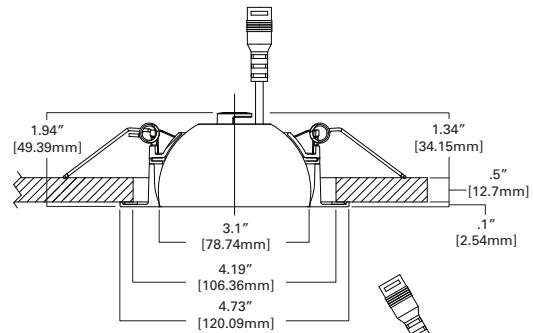
2700K • 3000K • 3500K
4000K • 5000K



Refer to ENERGY STAR® Certified Products List. Can be used to comply with California Title 24 High Efficacy requirements. Certified to California Appliance Efficiency Database under JA8.



- Up to 700 lumens
- Use to replace 60W A19 incandescent lamp
- 2700K, 3000K, 3500K, 4000K, 5000K CCT field select
- 90 CRI
- 12W, 120V
- L70 @ 50,000 hrs
- HALO matte white finish
- No existing recessed housing or junction box required
- Fixture will not fit into existing housings or junction boxes
- Wet location listed (shower rated) covered ceiling
- Rated for direct contact to air permeable insulation
- AIR-TITE™ certified per ASTM-E283
- Five-year limited warranty



Ordering Information

SAMPLE NUMBER: HLA4S06VWFL9FS1EMWR

Models	Lumens	Distribution	CRI / CCT	Driver	Finish	Packaging
HLA4S = 4-Inch LED round square directional with remote driver / junction box	06 = 600 lumen (nominal)	FL = 40° flood distribution VWFL = 80° very wide flood distribution	9FS = 90 CRI minimum, field selectable 2700K, 3000K, 3500K, 4000K or 5000K CCT	1E = 120V 60Hz, LE & TE phase cut 5% dimming	MW = matte white flange	R = recyclable 4-color unit carton suitable for point of purchase merchandizing display

Accessories

Oversized Trim Ring

HLB4SOTMW = 4" square oversized trim, matte white

Decorative Trim Ring

HLA4STRMMW = 4" square decorative overlay, matte white

HLA4STRMSN = 4" square decorative overlay, satin nickel

HLA4STRMTBZ = 4" square decorative overlay, tuscan bronze

Mounting Frame

HL4RSMF = 4" round and square mounting frame

Extension Cable | SeleCCTable

Driver/Jbox

HLB06FSEC - 6 ft. extension cable

HLB12FSEC - 12 ft. extension cable

HLB20FSEC - 20 ft. extension cable

Energy Data

Lumens	600 Series
Input Voltage	120V
Input Current	90 (mA)
Input Power	10.5 (W)
Efficiency	60 (LPW)
Inrush (A)	1.9 A @ 54mS
THD	≤ 20%
PF	≥ 0.90
T Ambient	-30° - +40°C
Sound Rating	≤ 22dba

UP TO **\$377**^A
SAVINGS

^A Savings are over the life of the HALO HLA4S luminaire. Energy savings: \$327 Replacement lamp savings: \$50 Savings based on \$0.128 per kilowatt hour, average six hours use per day, 50,000 hours of lamp usage, and 60W A19 lamp lumen equivalent.

Accessories

Decorative Overlay



3" Round

HLB3RTRMMW = matte white
HLB3RTRMSN = satin nickel
HLB3RTRMTBZ = tuscan bronze

3" Square

HLB3STRMMW = matte white
HLB3STRMSN = satin nickel
HLB3STRMTBZ = tuscan bronze

4" Round

HLB4RTRMMW = matte white
HLB4RTRMSN = satin nickel
HLB4RTRMTBZ = tuscan bronze

4" Square Adjustable

HLA4STRMMW = matte white
HLA4STRMSN = satin nickel
HLA4STRMTBZ = tuscan bronze

Oversized Trim Plate



HLB3ROTMW - 3" round oversized trim
HLB3SOTMW - 3" square oversized trim

HLB4ROTMW - 4" round oversized trim
HLB4SOTMW - 4" square oversized trim

Extension cables



Dedicated driver / junction box

HLB06EC - 6 ft. extension cable
HLB12EC - 12 ft. extension cable
HLB20EC - 20 ft. extension cable

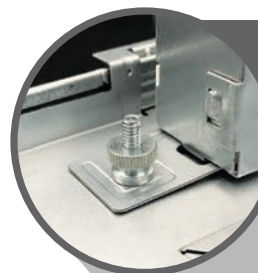
SeleCCTable driver / junction box

HLB06FSEC - 6 ft. extension cable
HLB12FSEC - 12 ft. extension cable
HLB20FSEC - 20 ft. extension cable

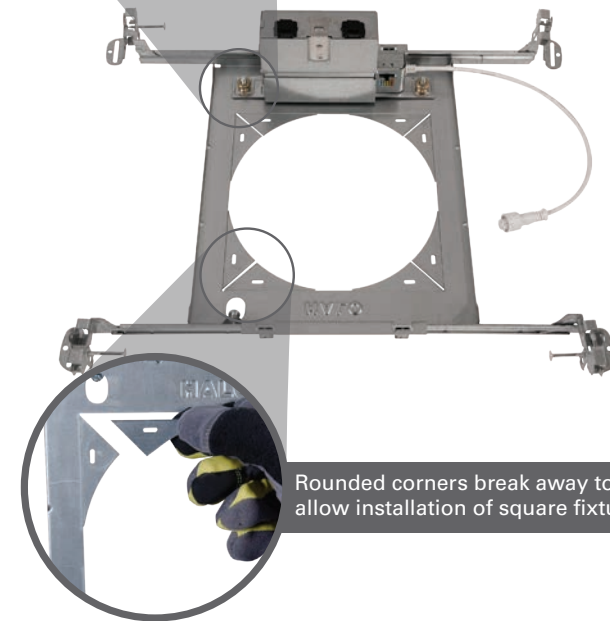
Mounting Frames



HL4RSMF - 4" round and square mounting frame



During electrical rough-in, the HLA driver / junction box attaches to the mounting frame with captive fasteners meeting code requirements for attachment to the building structure.



Rounded corners break away to allow installation of square fixtures.

Cooper Lighting Solutions

1121 Highway 74 South
Peachtree City, GA 30269
P: 770-486-4800
www.halolighting.com

Canada Sales
5925 McLaughlin Road
Mississauga, Ontario L5R 1B8
P: 905-501-3000
F: 905-501-3172

Our Lighting Product Lines

Ametrix
AtLite
Corelite
Ephesus
Fail-Safe
HALO
HALO Commercial
Invue
io
IRiS
Lumark
Lumière
McGraw-Edison
Metalux
MWS
Neo-Ray
Portfolio
RSA
Shaper
Streetworks
Sure-Lites

Our Controls Product Lines

Fifth Light Technology
Greengate
iLight (International Only)
iLumin
Zero 88

Connected Lighting Systems

Distributed Low-Voltage Power
HALO Home
iLumin Plus
Enlighted
WaveLinx
Trellix

© 2020 Cooper Lighting Solutions
All Rights Reserved
Printed in USA
Publication No. PA518220EN
September 2020

Products, specifications and
compliances are subject to
change without notice.

Cooper Lighting Solutions is a
registered trademark.
All other trademarks are property
of their respective owners.